



## Pyramid Flame Tower Patio Heater

### **WARNING!**

Hazardous fire or explosion may result if instructions are ignored.

It is the customer's responsibility to see that the patio heater is properly assembled, installed and taken care of.

Failure to follow instructions in this manual could result in bodily injury and/or property damage.

**DO NOT OPERATE UNDER THE INFLUENCE OF ALCOHOL OR DRUGS.**

### **Precautions**

- Ensure the connection to the gas bottle has been tightly secured with a spanner where necessary.
- Leak test all connections after each bottle re-fill
- Never check for leaks with a match or open flame
- Do not store or use gasoline or other flammable vapours and liquids in the vicinity of this or any other appliance
- Any LPG bottle not connected for use shall not be stored in the vicinity of this or any other appliance

### **For your safety – if you smell gas**

Turn off the gas supply at the bottle.

Extinguish all naked flames; do not operate any electrical appliances.

Ventilate the area.

Check for leaks as detailed in this manual.

If odour persists, contact London Cool immediately on 0800 440 444.

### **FOR OUTDOOR USE ONLY**

The use of this appliance in enclosed areas can be dangerous and is PROHIBITED.

Using this product in an enclosed area may cause injury, death or property damage.

Read the instructions before using this appliance. This appliance must be installed in accordance with instructions and local regulations.

### **WARNING!**

- For use outdoors or in amply ventilated areas
- An amply ventilated area must have a minimum of 25% of the surface area open
- The surface area is the sum of the walls surface

Do not use this heater in an explosive atmosphere.

Keep the heater away from areas where gasoline or other flammable liquids or vapours are stored.

Prior to use, check for damaged parts such as hoses, regulators, pilot or burner.

Do not move the heater when in operation.

Shut off the valve at the gas cylinder before moving the appliance.

Disconnect the LPG bottle before moving the heater.

Do not attempt to alter the unit in any manner, e.g. using the heater without the top canopy reflector or radiant screen.

The appliance shall not be used in basements or above ground level.

It must always be placed on a solid level surface.

Always ensure there is ample fresh air ventilation.

Never replace or substitute the regulator with any other regulator other than the factory suggested replacement.

Do not clean the heaters with cleaners that are combustible or corrosive.

Do not paint radiant screen, control panel or top canopy reflector.

All leak tests should be done with a soapy solution. NEVER USE AN OPEN FLAME TO CHECK FOR LEAKS.

The LPG gas bottle valve and regulator should be turned off when the heater is not in use.

Do not use when it is raining, always be careful not to let any liquid splash the glass tube when the heater is working.

Keep children away from the heater, always be careful not to knock over the heater which will break the glass tube and may cause injury.

The following clearance distances are required for safe operation when using this heater. It is important you keep these distances from combustible materials: minimum clearance to adjacent combustibles: from top: 61cm, from sides: 60cm.

Check the heater immediately if any of the following exists:

1. The smell of gas
2. The heater does not reach temperature
3. The burner makes a popping noise during use (a slight popping noise is normal when the burner is extinguished after use)

If you smell gas, turn off the valve immediately. If the smell persists, contact London Cool immediately.

The propane hose with regulator assembly shall be located out of the pathway where people may trip over

it or in areas where the hose will not be subject to accidental damage.

Children and adults should be aware of the high surface temperature hazard, and should keep a safe distance away to avoid clothes burning or igniting.

Young children should be carefully supervised when they are in the area of the heater.

Clothing or other flammable material should not be hung from the heater, or placed on or near the heater.

Any guard or other protective device removed for servicing the heater must be replaced prior to operating the heater.

Installation and repair should always be carried out by a qualified service person. The heater should be inspected before use and cleaning may be required at least once a year, or as necessary. It is imperative that the control compartment, burner and circulating air passageways of the heater be kept clean.

Keep the appliance area clear of combustible materials such as gasoline and other flammable vapours and liquids.

Do not obstruct the flow of combustion and ventilation air.

Do not obstruct the ventilation holes of the cylinder housing.

Keep the ventilation opening of the bottle enclosure free and clear of debris.

*Note:* when changing the bottle, the appliance must be in a amply ventilated area and must be away from any ignition source (candles, cigarettes, other flame producing appliances). Avoid twisting the flexible tubing while using. Never use the appliance near a fire hazard.

### **WARNING!**

The appliance must ONLY be used for outdoor use.

The installation of fixed appliances shall only be carried out by competent persons and be in accordance with the relevant codes of practice. Regularly check the gas hose and if necessary, replace the gas hose.

This appliance requires a regulator.

Combustible materials are considered to be wood, compressed paper, plant fibres, and plastic, Plexiglas or other materials capable of being ignited or burned. Such materials shall be considered combustible even though flame proofed, fire-retardant treated or plastered. Additional clearance may be required for glass, painted surfaces and other materials which may be damaged by radiant or convection heat.

The hose assembly should be properly located out of pathways where people may trip over it. The hose must be protected from contact with hot or sharp surfaces both during use and while in storage. The hose assembly should be visually inspected prior to each use of the heater. If excessive abrasion or wear is evident, or the hose is cut, it must be replaced prior to operating the heater. The

replacement hose assembly may be obtained from the manufacturer.

DO NOT use any pressure regulator or hose assembly other than those supplied with the appliance or provided by your gas supplier. Replacement pressure regulator and hose assembly must be those specified. Replacement parts may be obtained from the manufacturer or London Cool.

The valve outlet must be maintained in good condition. When the bottle is not in use, be sure to cover it with a dust cap. A leak test should be performed with soapy water whenever connecting a new bottle of gas. NEVER use a match to test for leaks.

The propane bottle must be turned off whenever the heater is not in use. When the heater is to be stored indoors, the propane bottle and the heater must be disconnected and the bottle stored in accordance with the standard for storage and handling of liquefied gases (i.e. not indoors, but in a dry well-ventilated area).

The patio heater has been designed with several safety features which include a tip over switch.

Any modification to the heater not described in the installation instructions may compromise the safety of this appliance. Special concern is as follows:

1. DO NOT shorten post length;
2. DO NOT bypass thermocouple safety;
3. DO NOT operate heater without a reflector;

Clothing and other flammable materials should not be hung from the heater, or placed on or near the heater. The area above the post may be extremely hot. Direct contact with these metal surfaces should be avoided in order to prevent burns or clothing ignition.

### **Installation**

#### *Important safety rules:*

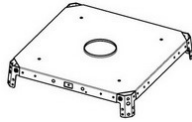
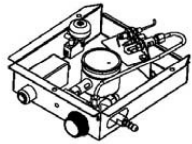
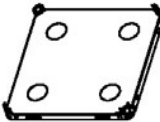


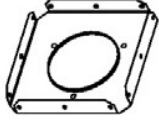
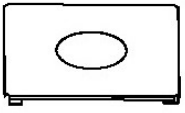
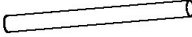
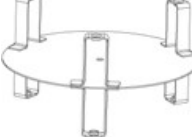
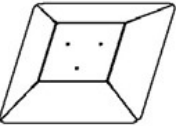

This appliance is for outdoor use only.




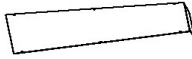
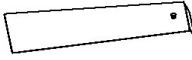
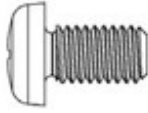



1. This appliance shall not be installed indoors, in buildings, garages or any other enclosed area
2. Do not place articles on or against this appliance
3. Do not use or store flammable materials near this appliance
4. Children and adults should be alerted to the hazards of high surface temperatures, burns and clothing ignition.
5. Children should be carefully supervised when they are in the area of the appliance
6. NEVER hang anything including clothes or other flammable items on the appliance
7. Do not operate this appliance unless it is fully assembled with the reflector in place.
8. DO NOT SPRAY AEROSOLS IN THE VICINITY OF THIS APPLIANCE WHILE IT IS IN OPERATION
9. Installation and repair should be done by a qualified service person. The appliance must be inspected before use and at least annually by a qualified service person. More frequent cleaning may be

required if necessary. It is imperative that control compartment, burners and circulating air passengers of the heater be kept clean

10. In case of violent wind particular attention must be taken against tilting of the appliance

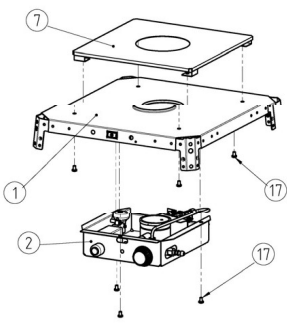
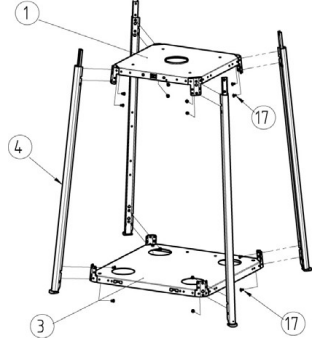
### Parts list

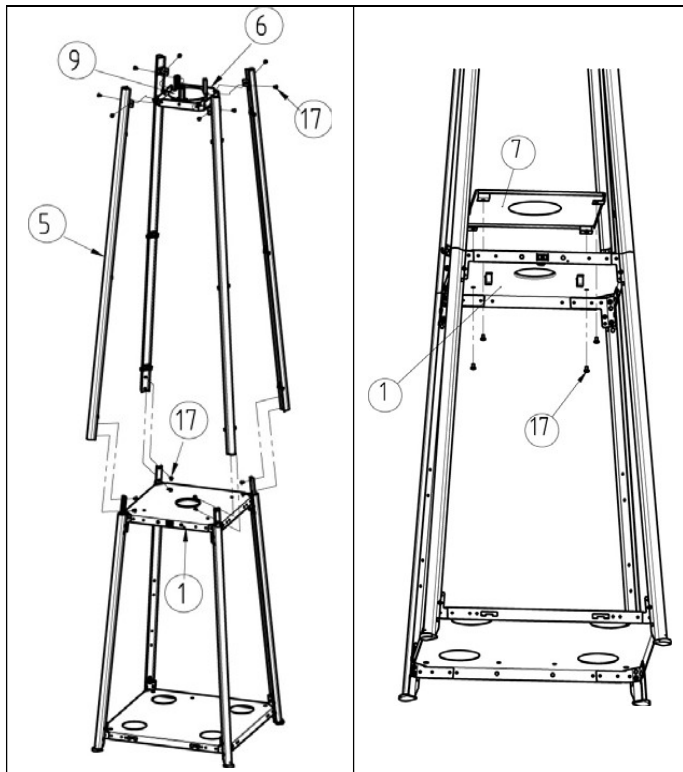
No	Name	QTY	Picture	Comment
1	Middle plate	1		
2	Control box	1		Preassembled in middle plate
3	Bottom plate	1		
4	Lower support	4		
5	Upper support	4		
6	Upper plate	1		
7	Plate cover	1		Preassembled in the middle plate
8	Glass tube	1		
9	Damper	1		Preassembled in upper plate
10	Reflector	1		
11	Lower protection guard	4		

12	Connecting tube	8		
13	Upper protection guard	4		
14	Fixing bracket	4		
15	Side panel	3		
16	Front panel	1		A chain is preassembled in this panel
17	Screw M5 x 8	54		All preassembled in relative parts
18	Knob	1		
19	Chain	1		Preassembled in the front panel
20	AA battery	1		(not provided)

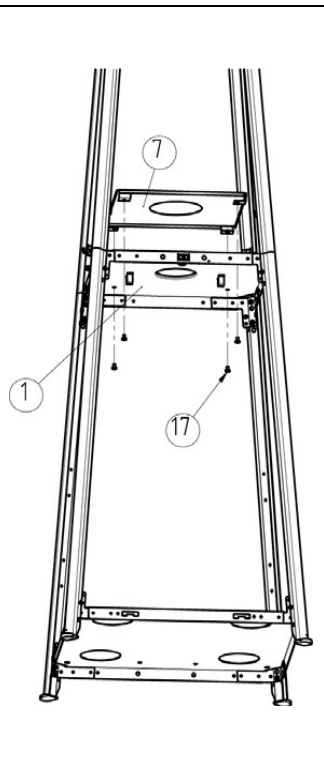
### Heater assembly

Tools required: 1 x Phillips head screwdriver, 1 x adjustable spanner.

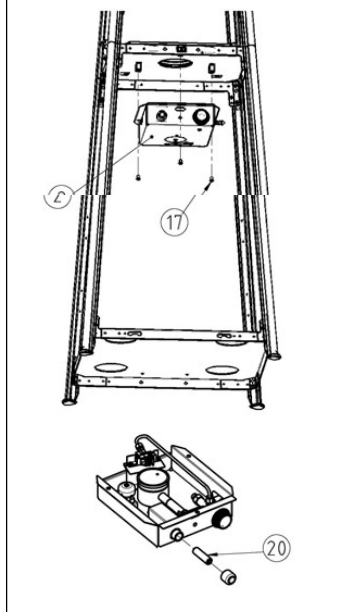
	
<p>Take the control box (2) and the plate cover (7) out of the middle plate (1) by unscrewing the screws (17).</p>	<p>Connect and fix the 4 lower supports (4) to the bottom plate (3) and middle plate (1) by the screws (17).</p>



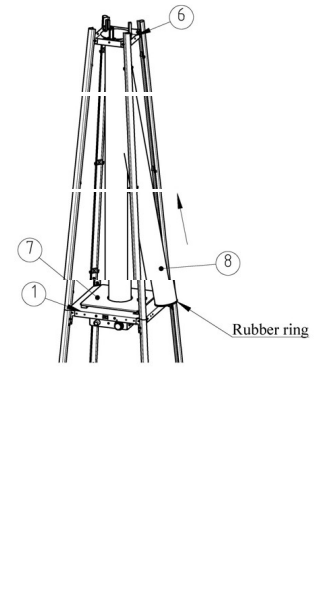
Connect 4 upper supports (5) to the lower supports (4) and fixed by screws (17), then fix the upper plate (6) to 4 upper supports (5) by screws (17).



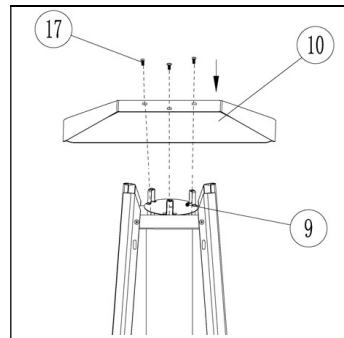
Fix the plate cover (7) onto the middle plate (1) by the screws (17).



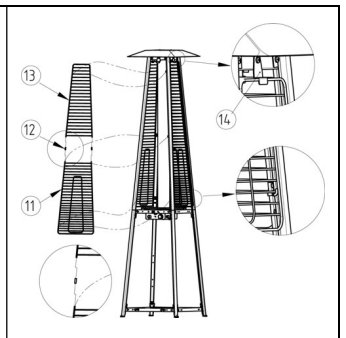
Install AA battery (20) into the control box, then, fix the control box (2) underneath the middle plate (1) by screws (17)  
Note: the control knob must face to the side where the magnet is installed in the middle plate.



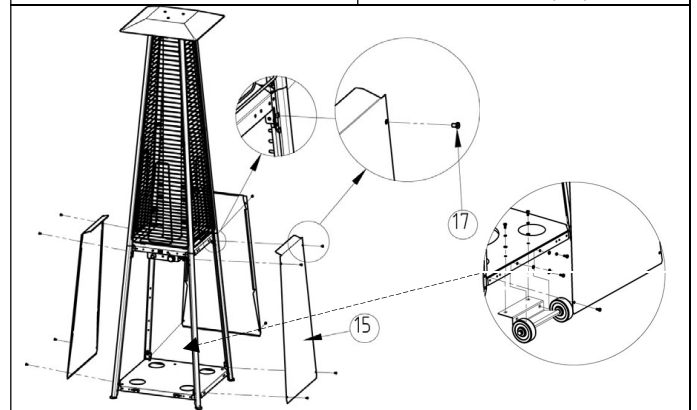
Carefully put the glass tube (8) up through the centre hole in the upper plate (6), make sure the rubber ring is attached on the lower end of the glass tube (8). Move and site the glass tube (8) through the hole of the plate cover (7) on the middle plate (1), check and ensure that the glass tube (8) covers the centre hole of the middle plate (1).



Fix the reflector (10) onto the damper (9) by screws (17).

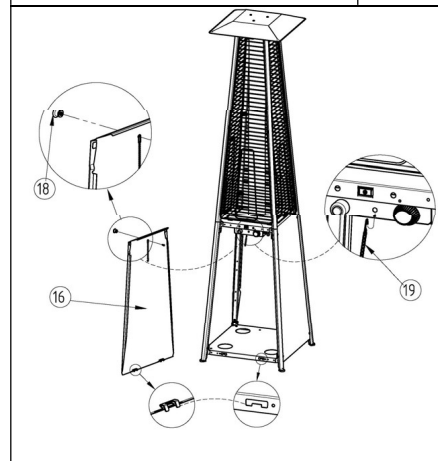


Attach the protection guards (11), (13) onto the upper frame by putting its hooks into the holes of the frame. Connect two guards with the connecting tube (12), fix the guards with the fixing brackets (14).

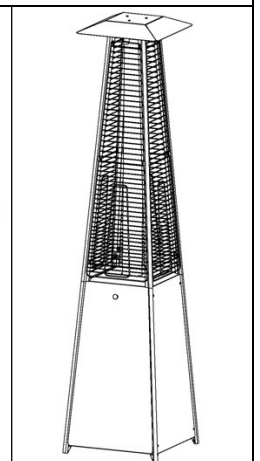


Fix 3 side panels (15) by the screw (17).  
Note: do not cover the side where the control knob is situated

If the wheel kit is supplied, fix it at the back of the base shown.



Screw the knob (18) onto the front panel (16), attach the panel by inserting its two hooks into the holes on the bottom plate (3), hook the chain (19) to the hole in control box then close the panel to the middle plate, the panel is attracted by the magnets.  
Tip: tge chain can hold the panel by operating the controls



Completed

## Operation

### Preparation

You will need to purchase a propane gas bottle designed to be used with the regulator purchased or supplied. For correct operation of the gas system follow the instructions supplied with the regulator supplied or purchased.

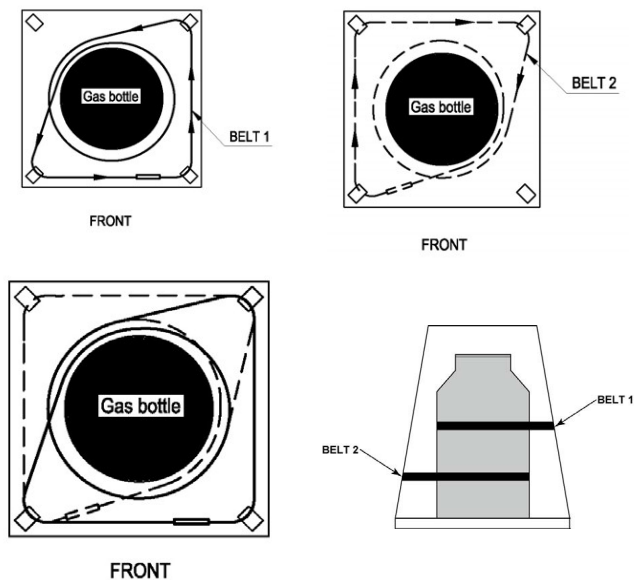
Connect the hose to the hose connector in the control box.

### WARNING!

- Always test the hose for leaks with soapy water at the end of all connections
- The hose used for this heater must comply with standard EN 1763-1:2001, and the hose must be no longer than 1.5m
- Never use the heater while it is raining, the glass tube could break when it suddenly meets water
- Always turn the heater off if it starts to rain
- Never splash any liquid onto the glass tube when the heater is working
- The glass tube will be extremely hot while it is working, never try to touch it and keep children away from the heater
- Always ensure the heater stands horizontally, and firmly on a hard standing surface, the glass tube could break if the heater was to fall over
- Never use the heater if the glass tube is damaged in any way

If the wheel kit is supplied:

If the heater is to be moved, to avoid the gas bottle from damaging the side panels, it is recommended the belts provided are set up as follows:

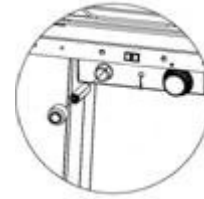


### WARNING!

When the gas bottle is properly tied in by the belts, and the heater is moved, the gas bottle might still damage the panels if the heater is tilted in other directions.

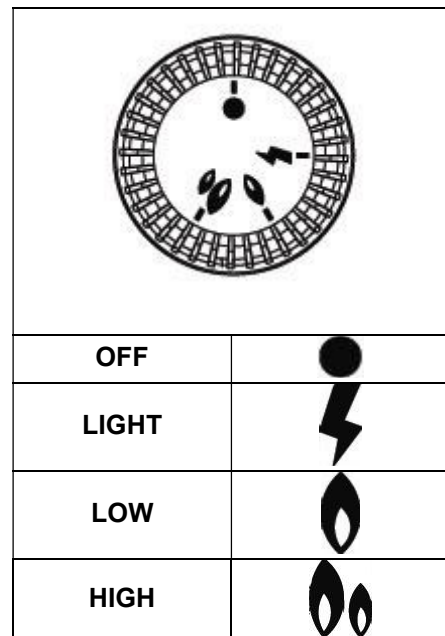
## Lighting instructions

Check and ensure that an AA battery is inside the ignition chamber and has power. Ensure the anode (+) faces outside.



### Electric igniter lighting

1. Ensure that the control knob is in the 'OFF' position. Slowly open the gas bottle valve
2. Press and turn the control knob to 'LIGHT' position, push the igniter to generate spark whilst keeping the control knob pressed in
3. Check for pilot flame through the glass tube. If pilot does not light, turn control knob to 'OFF' position, wait 5 minutes and try again from the start. Several attempts may be necessary
4. With the pilot alight, keep the control knob depressed for 15 seconds then turn the control knob to 'LOW' position
5. For maximum heat, turn the control knob to 'HIGH' position
6. To turn the heater off, turn the control knob to 'OFF' position

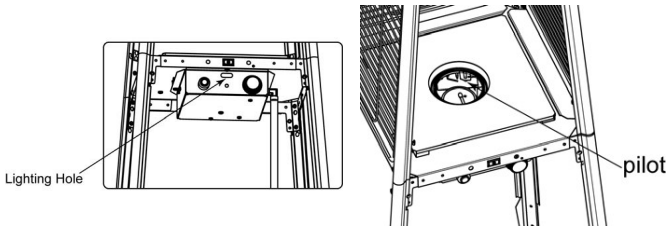


If the electric igniter fails, the heater can be lit by a match.

### Match lighting

A long reach match will be needed.

Hold the lit match through the hole in the front of the control box, attached the flame of the match to heater's pilot whilst pressing and turning the control knob to 'LIGHT' position.



## Maintenance and storage

### Cleaning and maintenance

#### Important note:

- 1) All models – upper and lower protection guards  
The guards are manufactured from stainless steel but should be cleaned or polished on a regular basis (once every 2 months) to avoid discolouration, with a quality stainless steel cleaner.
- 2) Models with stainless steel side and front panels  
The panels are manufactured from stainless steel but should be cleaned or polished on a regular basis (once every 2 months) to avoid discolouration, with a quality stainless steel cleaner.
- 3) Models with powder coated side and front panels  
Use warm soapy water for cleaning. Never use inflammable, corrosive or abrasive cleaners. While washing your unit, be sure to keep the area around the burner and pilot assembly dry at all times. If the gas control is exposed to water in any way, do not try to use it, it must be replaced.
- 4) All models – note:  
If the unit is situated in a salt air environment (such as near the ocean) corrosion can occur more quickly than normal. It should therefore be cleaned on a more regular basis.

To enjoy years of outstanding performance from your heater, make sure you perform the following maintenance activities on a regular basis:

- Keep exterior surfaces clean
- At least once a year, the unit should be inspected for spiders, spider webs and other insects
- Air flow must be unobstructed. Keep controls, burner and circulating air passageways clean. Signs of possible blockage include:
  - » Gas odour with extreme yellow tipping of flame
  - » Heater glow is excessively uneven
  - » Heater makes popping noises
- Spiders and insects can nest in the burner or orifices: This dangerous condition can damage the heater and render it unsafe for use. Clean burner holes by using a heavy duty pipe cleaner. Compressed air may help clear away smaller particles
- Carbon deposits may create a fire hazard. Clean reflector and glass tube with soapy water if any

carbon deposits develop. Always be careful when cleaning the glass tube.

### Storage

Between uses:

- Turn the control knob to the 'OFF' position
- Turn LPG bottle to 'OFF' position
- Store heater upright in an area sheltered away from weather conditions (such as rain, sleet, hail and snow)
- If desired, cover heater to protect exterior surfaces and to help prevent dust and debris collecting in air passages

During periods of extended inactivity or when transporting:

- Turn the control knob to the 'OFF' position
- Disconnect the LPG bottle and move to a secure, well-ventilated location outdoors (DO NOT store in a location that will exceed 51°C)
- Store heater upright in an area sheltered away from weather conditions (such as rain, sleet, hail and snow)
- If desired, cover heater to protect exterior surfaces and to help prevent dust and debris collecting in air passages

Warning	Note
<p>For your safety:</p> <ul style="list-style-type: none"> <li>• Do not touch or move the heater for at least 45 minutes after use</li> <li>• Allow burner elements to cool before touching</li> </ul>	<ul style="list-style-type: none"> <li>• In a salt-air environment (such as near an ocean) corrosion occurs more quickly than normal</li> <li>• Frequently check for corroded areas and repair them promptly</li> <li>• Wait until heater is cool before covering</li> </ul>

### Troubleshooting

Problem	Probable cause	Solution
Pilot will not light	Gas valve may be off	Turn the gas valve ON
	Fuel bottle is empty	Refill LP gas bottle
	Orifice blocked	Clean or replace
	Air in supply system	Purge air from lines
	Loose connection	Check all fittings
Pilot will not stay on	Debris around pilot	Clean dirty area
	Loose connection	Tighten connection
	Thermocouple faulty	Replace thermocouple
	Gas leak in line	Check connections
	Lack of fuel pressure	Fuel bottle is nearly empty

Burner will not light	Pressure is low	Fuel bottle is nearly empty
	Orifice blocked	Remove, clean and replace
	Control valve not ON	Turn valve to ON
	Thermocouple faulty	Replace thermocouple
	Pilot light assembly out of alignment or not in correct location	Place pilot light in correct position and retry

Any modifications or repairs to the patio heater must be carried out by a suitable qualified engineer.

Due to production continuously developing, the product you bought might slightly differ from the one in this manual.